



Hoists: 500kg!!!

MAD EasyLoad

No More Heavy Lifting!

The MAD EasyLoad stands out against all the other loading systems. Using the electrically powered extending boom you can easily lift loads up to 500 kg and then position them within the loading area of the vehicle. The boom and winch are operated electrically with a single press of the button. The handy mobile control unit can be operated very simply with one hand. You don't require any other equipment and you don't have to rely on the facilities available at the delivery or collection point.

The MAD EasyLoad relieves drivers and employees and helps avoid Health & Safety at Work problems. Especially the avoidance of back complaints which crop up as a rule with repeated lifting and sliding heavy loads.

The MAD EasyLoad increases the flexibility and productivity of your fleet through improved loading capacity and vehicle deployment. In many situations a second man (driver's mate) is unnecessary.



**Special version
5—20m
underneath
groundlevel!!!**





MAD EasyLoad

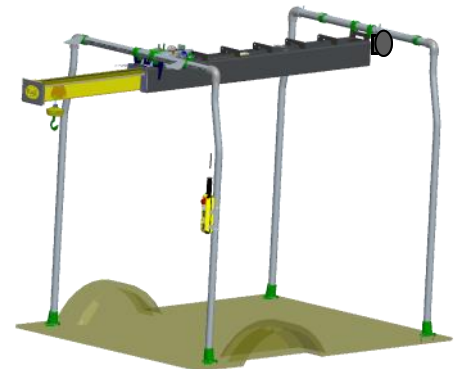
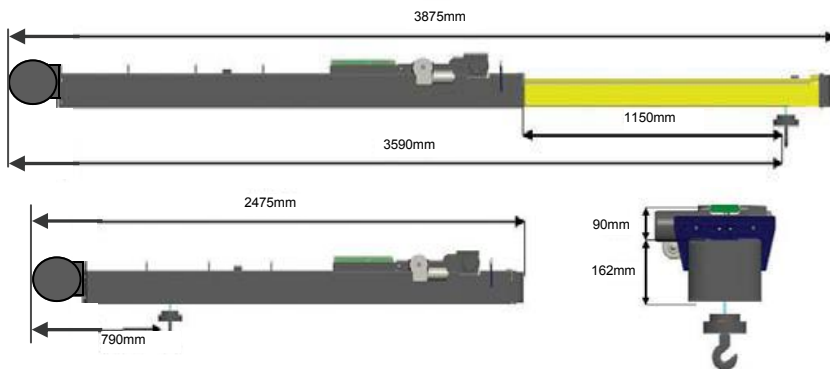
MAD EasyLoad loading system for light commercial vehicles

The MAD EasyLoad onboard loading system consists of a high quality, compact winch unit with extendable boom. The stable lightweight construction guarantees absolute reliability and is maintenance-free.

The installation couldn't be easier. The MAD EasyLoad is mounted on a lightweight, self-supporting sub-frame which is positioned by an attachment to the existing anchor points in the vehicle loading area. Only two cables have to be connected for the power supply from the vehicle – expensive modifications are unnecessary.

When vehicles are exchanged, the MAD EasyLoad can easily be un-installed and re-installed again – thus avoiding wasted capital!

Custom-made sub-frames are available for most popular light commercial vehicles.



Technical data:

Maximum lifting capacity:	500 kg
Length when retracted:	227,5 cm
Maximum load height:	300 cm (minus the height of the interior space)
Dead weight:	150 kg (including winch, but excluding Installation frame)
Winch specification:	12V 100A
Winch operation:	electric via pushbutton on hand-held unit
Slide system:	electric via pushbutton on hand-held unit
Lifting speed:	5 cm per second
Cable thickness:	ø 5 mm
Cable length:	5-20 meter max underneath groundlevel
Average installation time:	4 hours
Installation frames available:	Citroën, Fiat, Ford, Iveco, Mercedes, Nissan, Opel, Peugeot, Renault, Volkswagen etc.
Safety:	CE, NEN-EN-14492-2

MAD also supplies Powersprings, being an extensive system for all loading issues, as well as interactive air suspension systems. Further information from your workshop or dealer.

MAD Holding BV

P.O. Box 760
3900 AT Veenendaal
The Netherlands
Tel. (+31) 318 58 61 00
Fax (+31) 318 54 12 13
E-mail: info@mad-tooling.com
Web: www.mad-tooling.com